



曄懋科技
Emitech Corporation
Company Profile

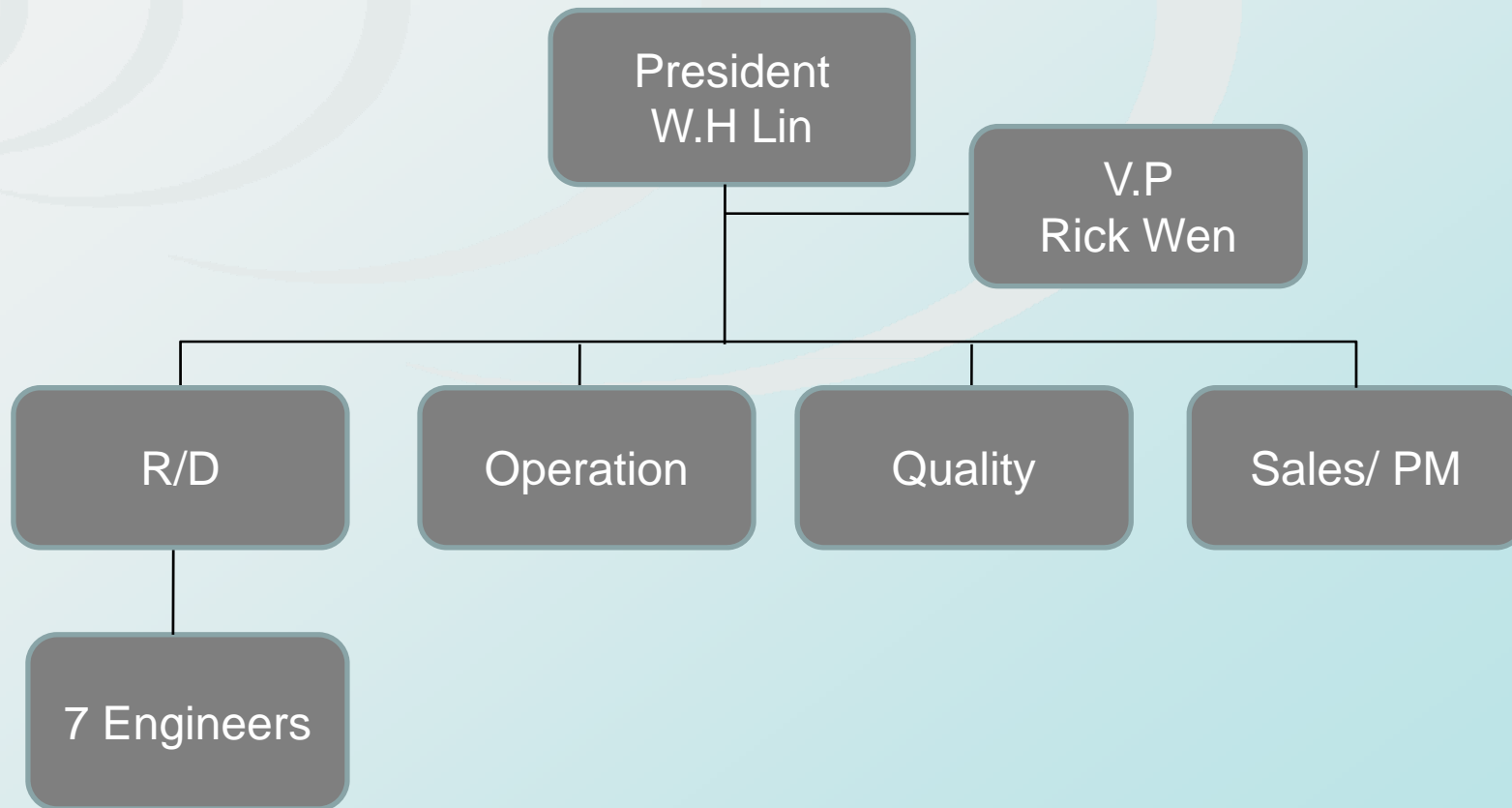
www.emitech.com.tw

Giving you an unbounded world

Company Highlights

- A leading **High Power** wireless networking company
- Established in June 2007 with office located in Hsinchu Science Park, Taiwan

Organization



Mass Production Capability

Model/ Type	Capability (PCS/ month)
Mini PCI	100K
USB	100K
AP SoC	50K
IXP Board	10K

Main Products

Product

- High Power WiFi module
- High Power Atheros SoC CPE
- Embedded System board with 1~4 mPCI slot
- Mesh AP Total Solution

Product Lines - WiFi Clients/ Module/ CPE

600mW
(28dBm)



WL015/ 019A



WL017A/super



WL016A



WL009A

Ready



AL002A



AL004A

500mW

400mW

Ready

Ready

Ready

available
in 2009
May



AL003A

available
in 2009
June

Normal
Power
(20 dBm)



WL011A



WL024A/super

mPCI
11b/g

mPCI
11a/b/g

mPCI
11a

AP SoC
11b/g
(AP51)

AP SoC
11a
(AP48)

Product Lines - WiFi USB & Module

**200mW
(23dBm)**



WL003A

WL029R

**Normal
Power**



WL033E



WL020R



WL018R

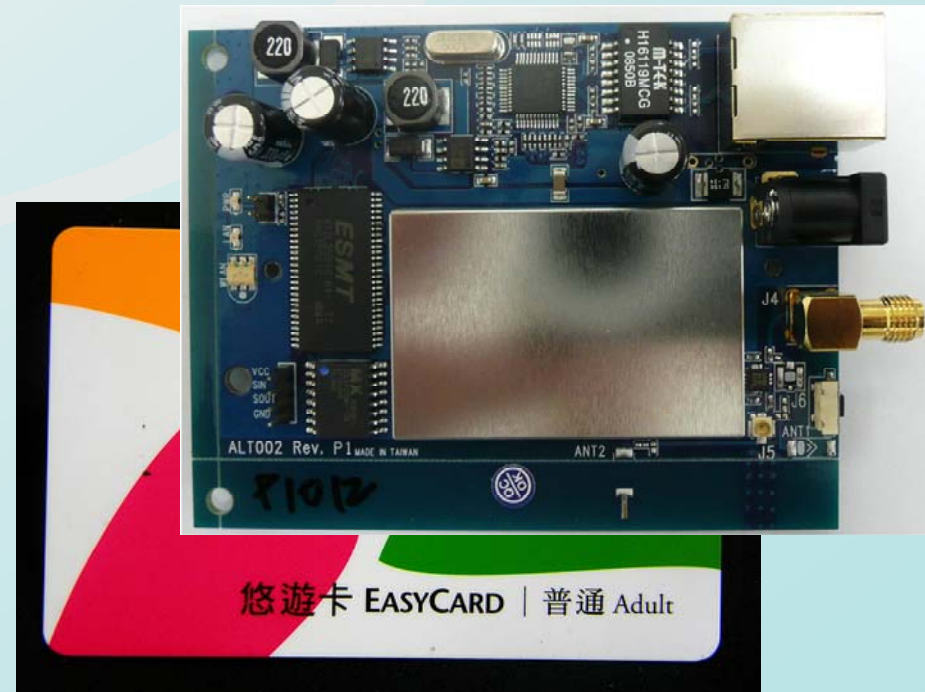
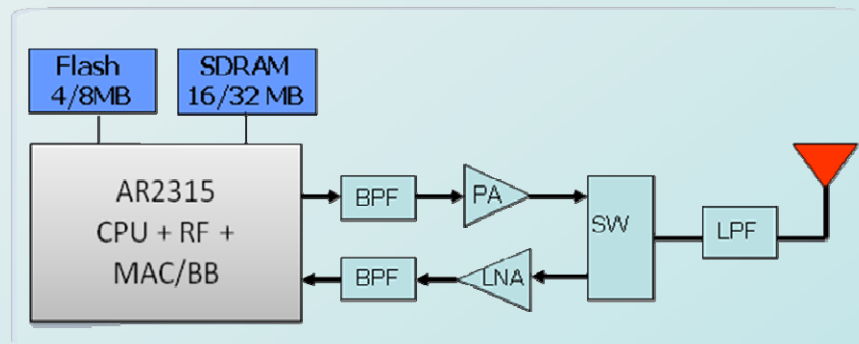
**USB
11b/g**

**USB
11n/b/g**

**mPCI AP
11n/b/g**

500mW 2.4GHz PicoStation

- High output Power of 27dBm max on 11b/g
- H/W WatchDog
- Lightning protector
- 32/16MB SDRAM, 8/4MB Flash
- Small Size
- Passive PoE

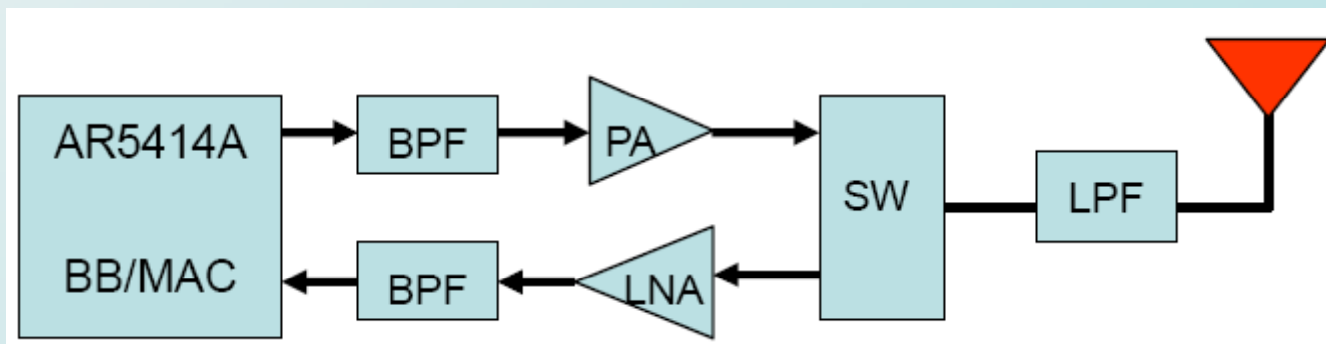


600mW 11a/b/g mini-PCI Card

ETC-WL017A



- Super AG mode includes dynamic 108 Mbps capability
- Max 28dBm for 11b/g
- Max 25dBm for 11a

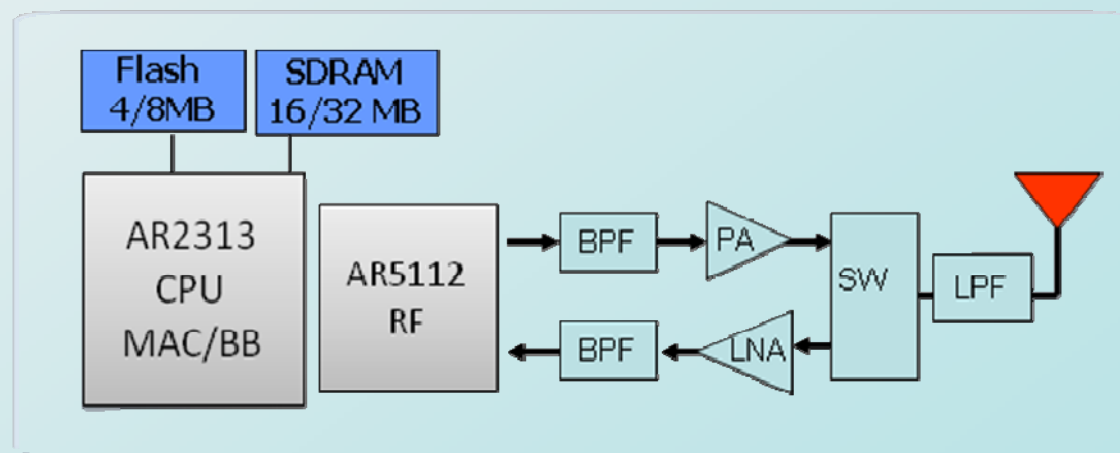


Hi-Power 5GHz UnaStation5 AP

- High output Power of 26dBm
- H/W WatchDog
- 4.9GHz~ 5.85GHz
- Lightning protector
- 32/16MB SDRAM, 8/4MB Flash

available
in 2009
June

• **Super A mode support**

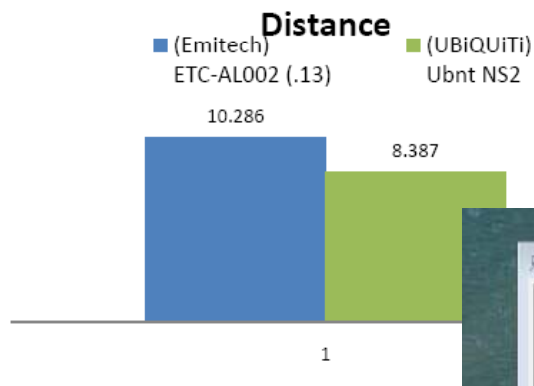


Outdoor Test Compare Result

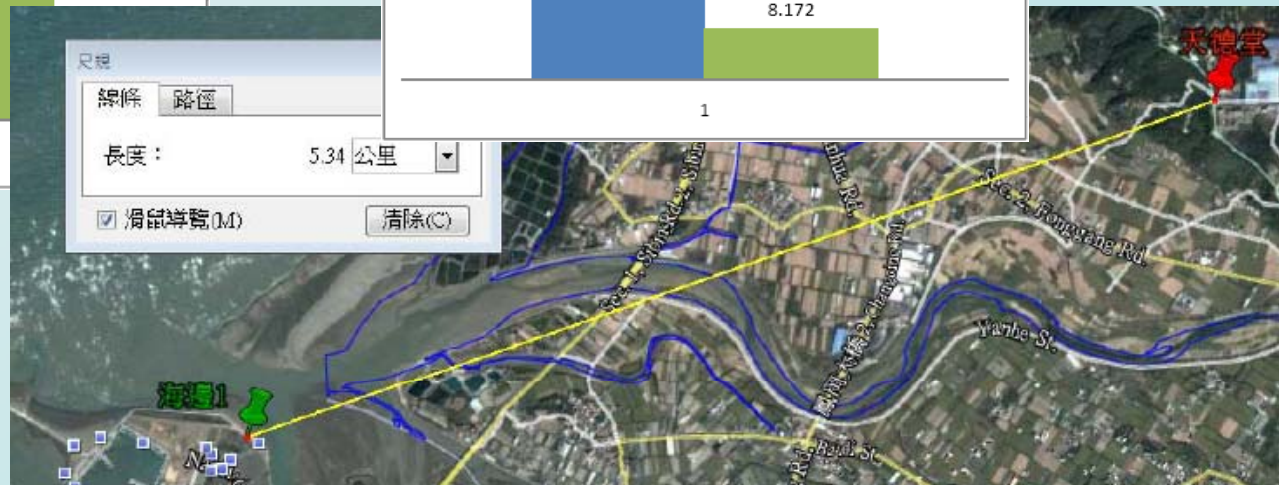
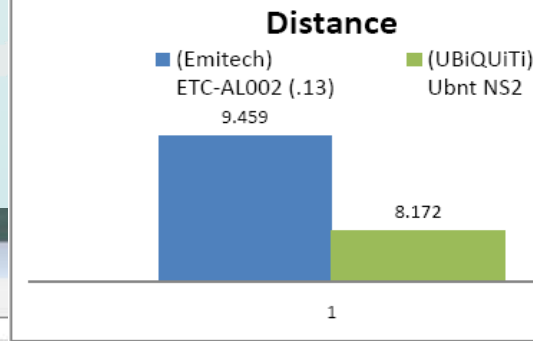
AP51 CPE

	Model Name	Distance	f/w's Distance	F/W Version	TX Throughput(xMbps)	RX Throughput(xMbps)	Band	TX Power (dBm)	Antenna
09_Feb.6	(Emitech) ETC-AL002 (.13)	5340m	5000m	1.1.13	10.286	9.459	11g	26	10dBi
	(UBiQUITi) Ubnt NS2	5340m	4900m		8.387	8.172	11g	26	10 dB/ vertical

11g TX Throughput @ 5340m



11g RX Throughput @ 5340m



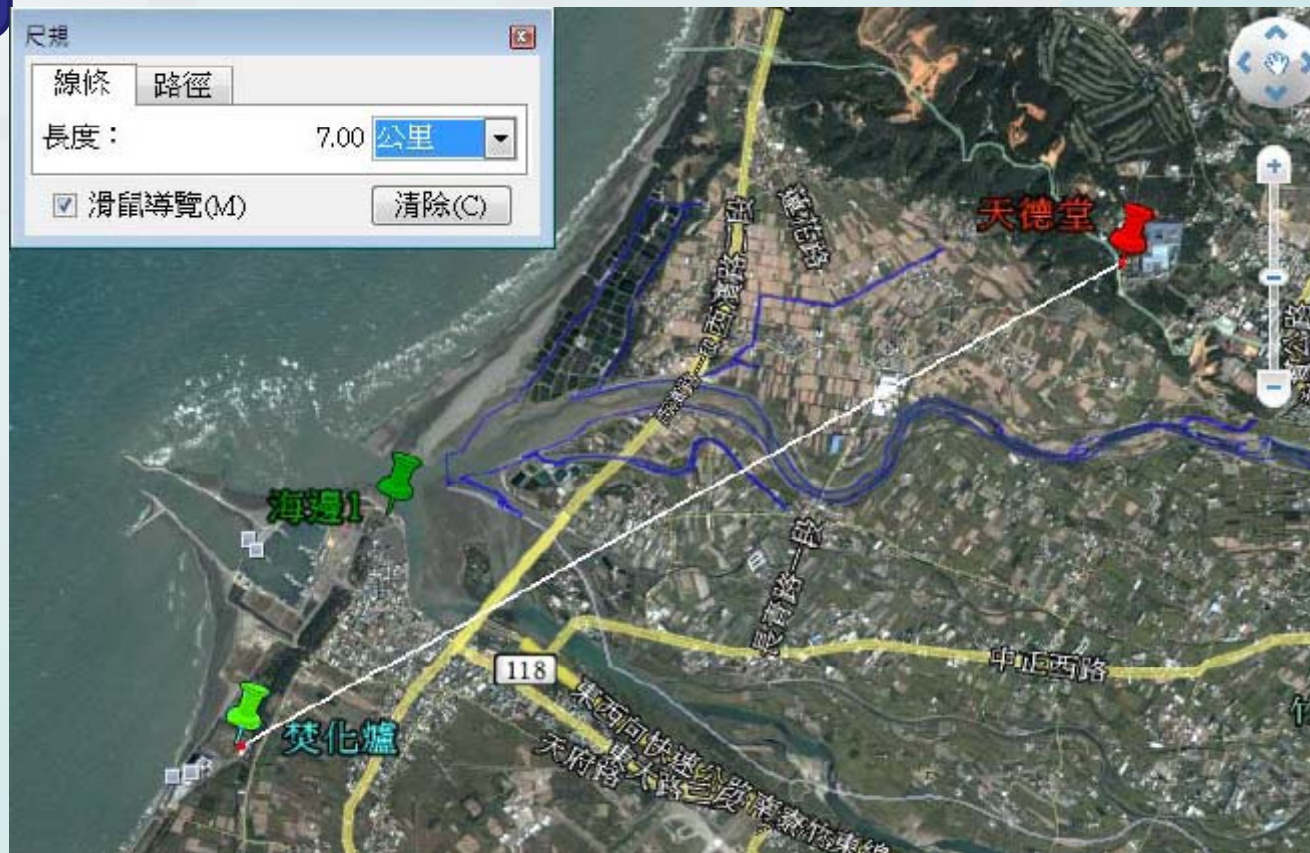
Outdoor Test Compare Result

WiFi mPCI

Date	Model Name	Distance	TX Throughput(xMbps)	RX Throughput(xMbps)	Band	Network Mode	Frequency	Antenna
08_Nov.1	(Emitech) WL016	7000 M	5.204	5.459	11b	Bridge	2.442	18dBi
			13.027	16.858	11g	Bridge	2.457	18dBi
			12.587	12.484	11a	Bridge	5.2	18dBi
08_Nov.1	(Emitech) WL017	7000 M	5.068	5.397	11b	Bridge	2.457	18dBi
			12.165	16.049	11g	Bridge	2.457	18dBi
			22.228	16.966	Super G	Bridge		18dBi
			15.171	12.606	Super A	Bridge	5.21	23 dBi
			13.699	12.743	11a	Bridge	5.2	23 dBi
08_Oct.4	(Emitech) WL015	7000 M	5.041	4.9	11b	Bridge	2.412GHz	18dBi
			12.518	10.125	11g	Bridge	2.462GHz	18dBi
08_Oct.4	(Emitech) WL019	7000 M	4.752	4.833	11b	Bridge	2.412GHz	18dBi
			12.706	9.759	11g	Bridge	2.462GHz	18dBi
08_Oct.4	(UBiQUiTi) SR2	7000 M	5.046	4.829	11b	Bridge	2.412GHz	18dBi
			10.723	4.143	11g	Bridge	2.462GHz	18dBi
08_Oct.4	(UBiQUiTi) SR5	7000 M	12.784	12.177	Super A	Bridge	5.290GHz	23 dBi
			13.612	11.934	11a	Bridge	5.180GHz	23 dBi
08_Oct.4	(Wistron) DCMA-82	7000 M	5.317	5.132	11b	Bridge	2.462GHz	18dBi
			11.068	8.828	11g	Bridge	2.462GHz	18dBi
			18.921	9.046	Super G	Bridge	2.412GHz	18dBi
			n/a	n/a	Super A	Bridge	n/a	23 dBi
			n/a	n/a	11a	Bridge	n/a	23 dBi
08_Oct.4	JJPlus	7000 M	4.6	5.3	11b	Bridge	2.457	18dBi
			5	11.5	11g	Bridge	2.457	18dBi
			8.2	19.3	Super G	Bridge		18dBi
			7.3	7.3	Super A	Bridge	5.210GHz	23 dBi
			9.3	8.2	11a	Bridge	5.825GHz	23 dBi

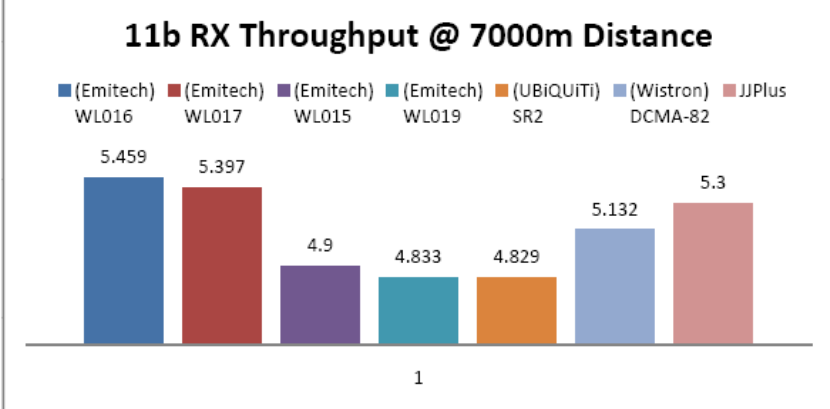
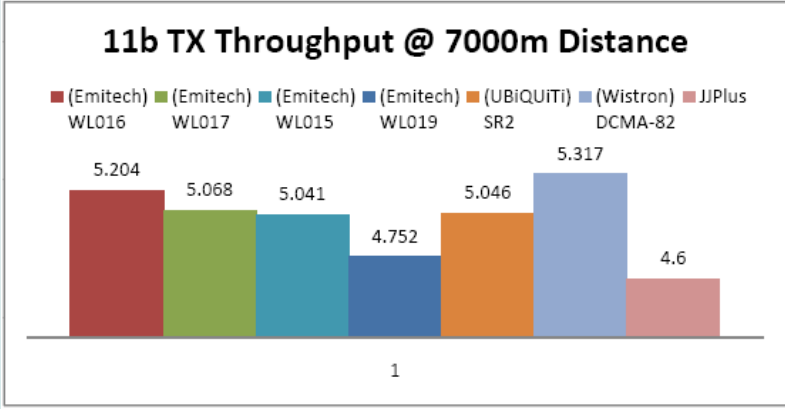
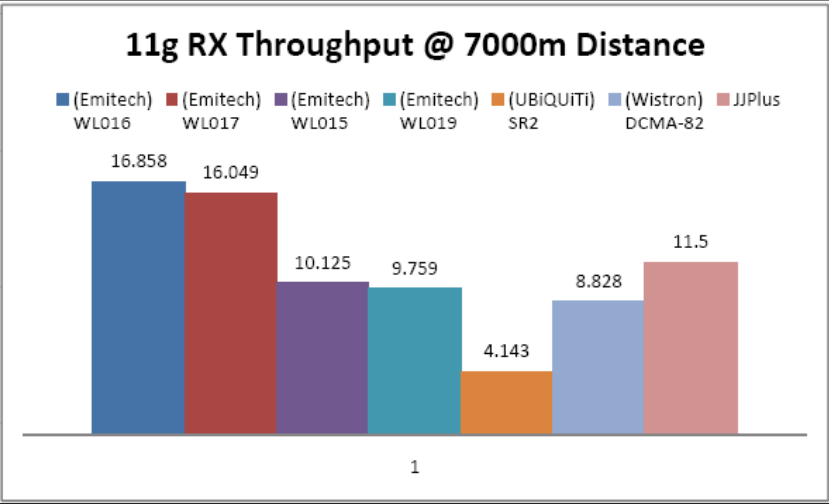
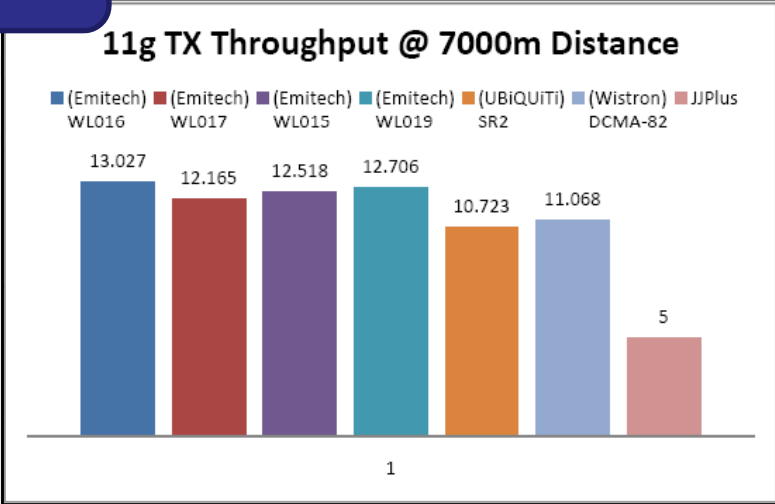
Outdoor Test Compare Result

WiFi mPCI



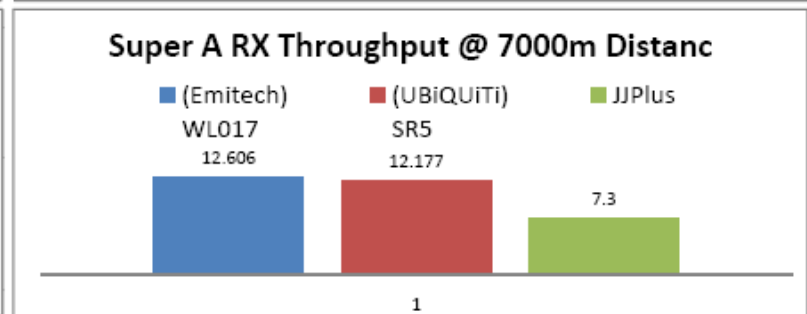
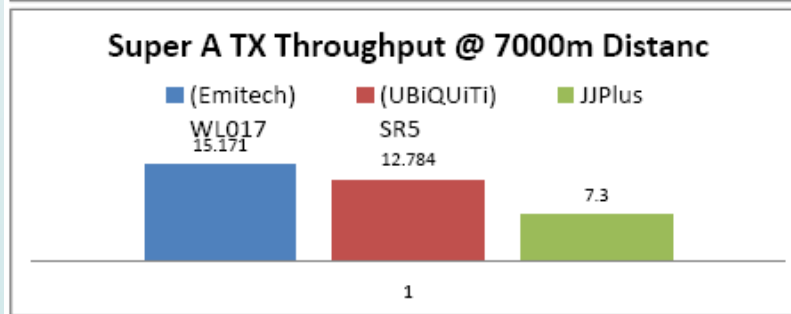
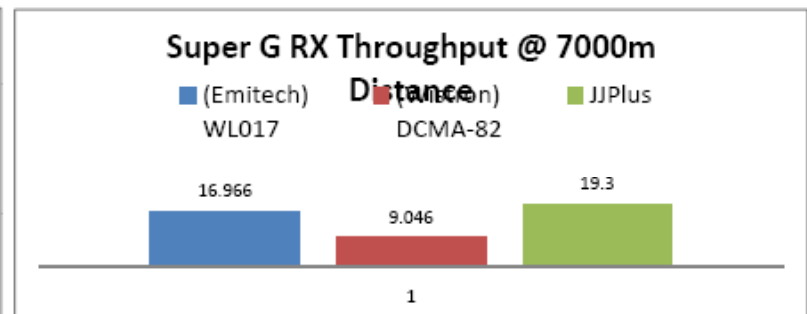
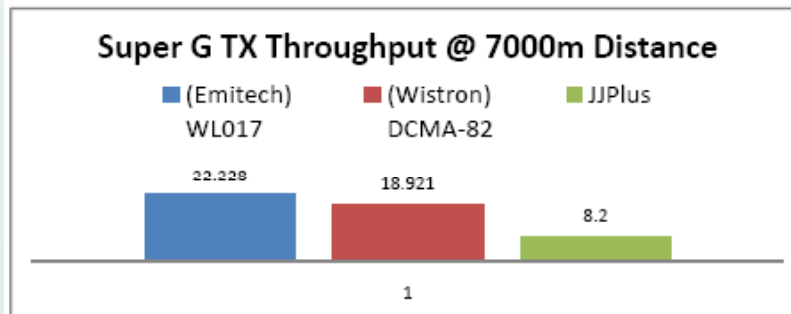
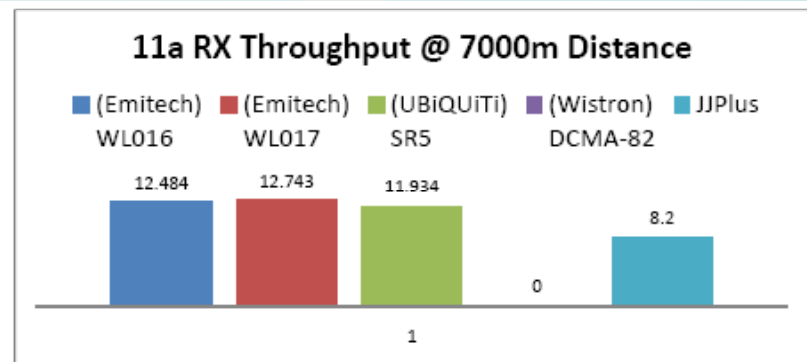
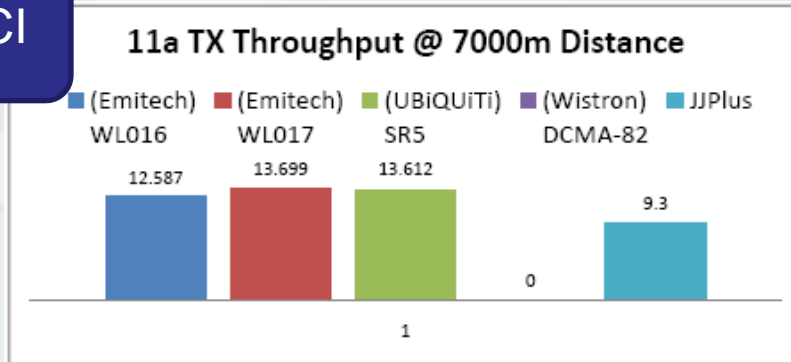
Outdoor Test Compare Result

WiFi mPCI



Outdoor Test Compare Result

WiFi mPCI



Why Emitech ?

- Focus on High Power WiFi
- Mesh AP Total Solution
- Customer Value
- Quick Respond & Service

Thank You

